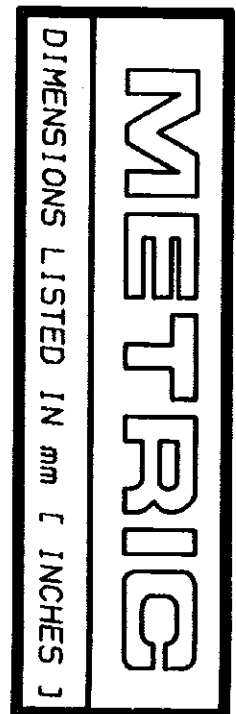
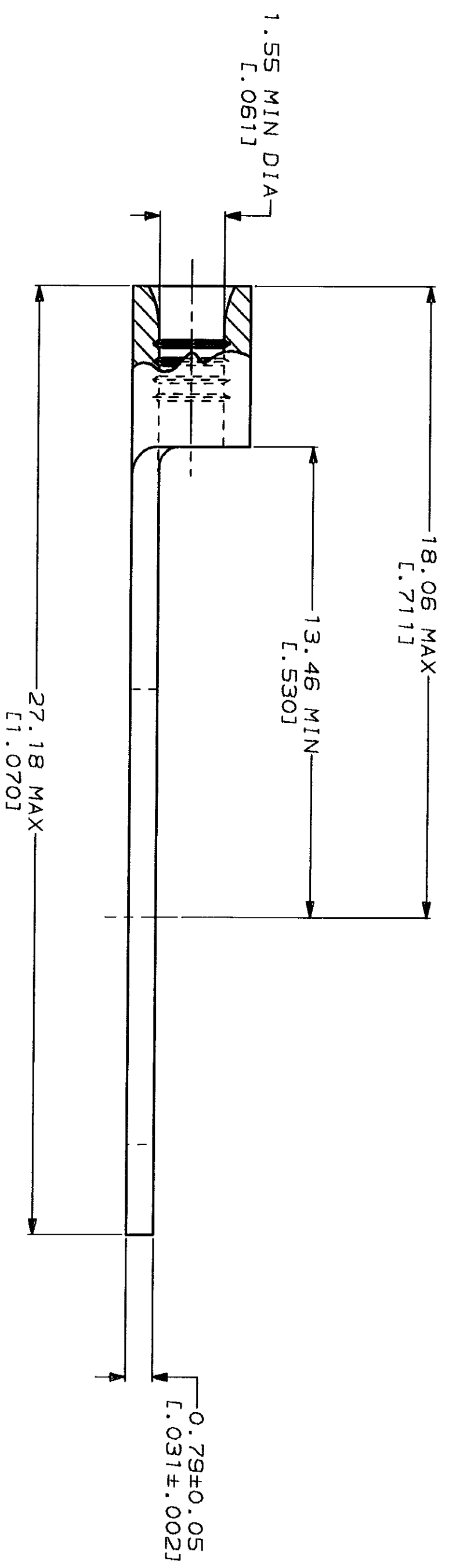
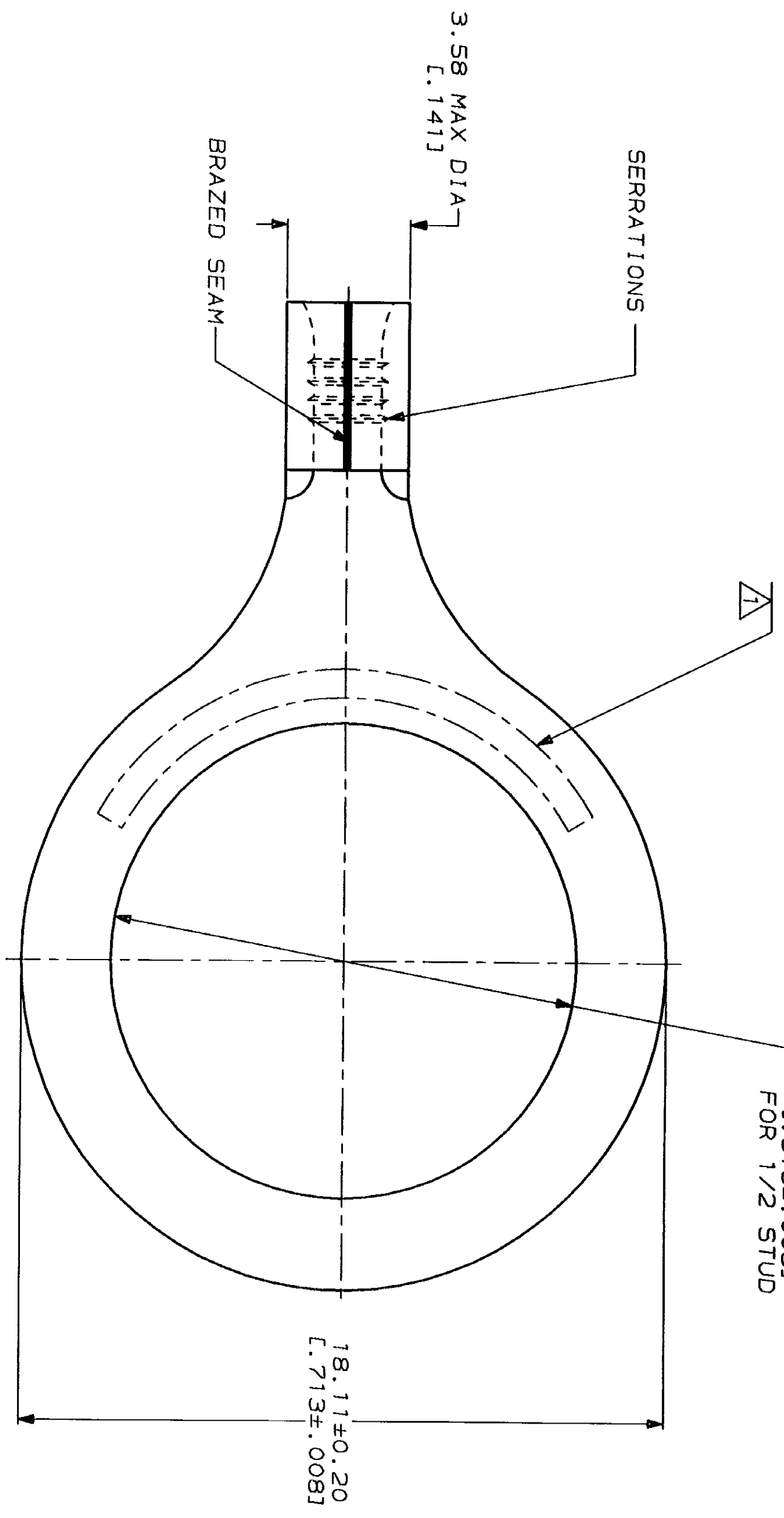


LOC	DIST	P	F	ZONE	LTR	DESCRIPTION	DATE	APPD
G	14			C		REV, RDRW, & SM PKG PER 0720-0040-93	3-10-93	18 DAP



<b>AMP</b> WIRE RANGE	<b>IL</b> E13288 Listed
22-16 AWG SOLID OR STRANDED	22-16 AWG SOLID OR STRANDED
<b>LR7189</b> Certified	MILITARY P/N AND CLASS
22-16 AWG SOLID OR STRANDED	NOT APPLICABLE

STAMP AMP 22-18\* APPROX AS SHOWN  
 22-16 TERMINALS ARE STAMPED 22-18 IN  
 ACCORDANCE WITH MILITARY SPECIFICATION  
 MIL-T-7928, COMMERCIAL WIRE RANGE IS 22-16



**AMP INCORPORATED  
 CUSTOMER SERVICE SYSTEMS**

FOR ADDITIONAL PRODUCT INFORMATION OR COPIES OF DRAWINGS AND TECHNICAL DOCUMENTS	PRODUCT INFORMATION CENTER 1-800-522-6752
FOR APPLICATION TOOLING INFORMATION	TOOLING ASSISTANCE CENTER 1-800-722-1111
FOR ORDER ENTRY	1-800-526-5142

MAX RECOMMENDED OPERATING  
 TEMPERATURE: 170°C MAX  
 VOLTAGE RATING:  
 NOT APPLICABLE  
 WIRE CROSS SECTIONAL AREA RANGE:  
 0.26-1.65mm<sup>2</sup> [509-3,260] CIR MILS  
 SOLID OR STRANDED

DO NOT SCALE PRINT.  
 UNLESS SPECIFIED  
 DIMENSIONS IN mm [INCHES]  
 TOLERANCES ON:  
 2 PLC DEC ±  
 3 PLC DEC ±  
 ANGLES ±

DR 3-10-93 TA BRINKMAN
CHK 3-10-93 DA PATTERSON
APPD 3-10-93 DE MILLER
APPD 3-10-93 JL MECKLEY
PRODUCT SPEC
APPLICATION SPEC
WEIGHT

NAME	AMP
AMP Incorporated	
Harrisburg, PA 17105-3608	

TERMINAL, RING  
 TONGUE, SOLISTRAND™

SIZE	CAGE CODE	DRAWING NO
SCALE	00779	329966
SCALE	8:1	

QUANTITY	PACKAGE TYPE	PART NO
100	LOOSE PIECE, BOX	8-329966-1
---	LOOSE PIECE	329966